

1 TO 3 PAIR CONNECTOR FITTED

CONFLAT FLANGE

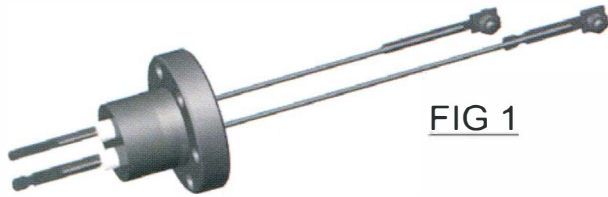


FIG 1

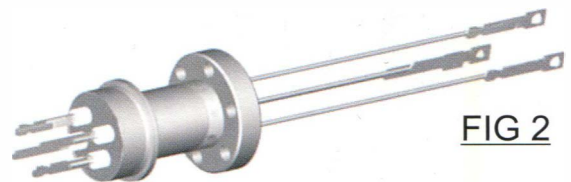
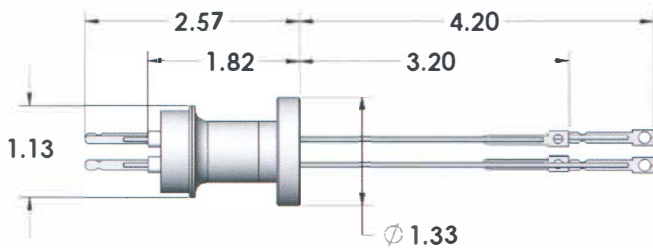
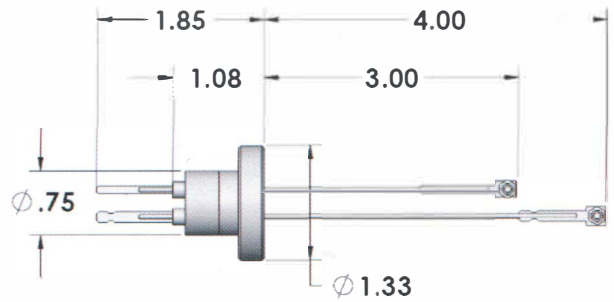


FIG 2

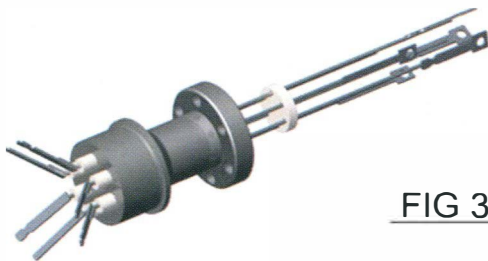


FIG 3

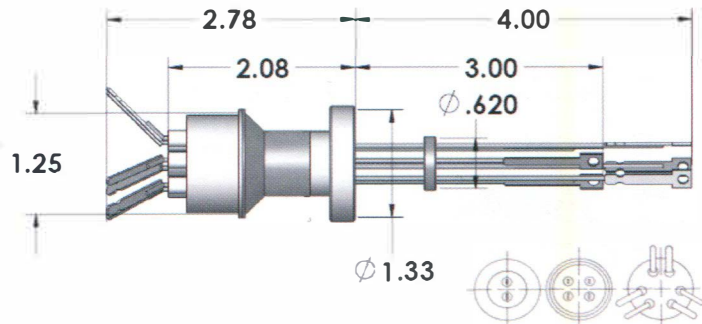


FIG 1 FIG 2 FIG 3

NO PAIRS	TYPE	FIG	PART NO	PRICE
1	C	1	A0391-3-CF	105.00
1	E	1	A0391-4-CF	105.00
1	J	1	A0391-1-CF	105.00
1	K	1	A0391-2-CF	105.00
2	C	2	A0407-3-CF	160.00
2	E	2	A0407-4-CF	160.00
2	J	2	A0407-1-CF	160.00
2	K	2	A0407-2-CF	160.00
3	C	3	A0734-4-CF	240.00
3	E	3	A0734-3-CF	240.00
3	J	3	A0734-2-CF	240.00
3	K	3	A0734-1-CF	240.00