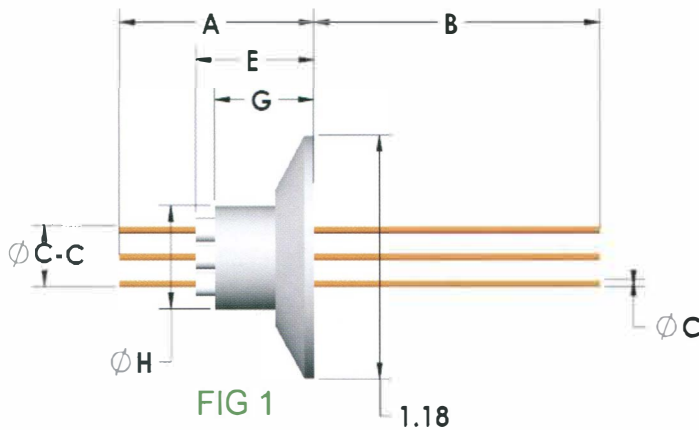


500 VOLTS DC/ TO 12 AMPS

2 TO 8 PINS

QUICK FLANGE



NO PINS	AMPS	CONDUCTOR MATERIAL	FLANGE	A	B	C	E	G	H	C-C	PART NO	PRICE
2	8	MOLY	QF16	1.03	1.47	.032	.63	.53	.50	.21	A0500-4-QF	110.00
2	12	COPPER	QF16	1.03	1.47	.032	.63	.53	.50	.21	A0500-3-QF	110.00
2	4	NICKEL	QF16	1.03	1.47	.032	.63	.53	.50	.21	A0500-1-QF	110.00
2	1	STN.STL.	QF16	1.03	1.47	.032	.63	.53	.50	.21	A0500-2-QF	110.00
4	8	MOLY	QF16	1.03	1.47	.032	.63	.53	.50	.25	A0501-4-QF	120.00
4	12	COPPER	QF16	1.03	1.47	.032	.63	.53	.50	.25	A0501-3-QF	120.00
4	4	NICKEL	QF16	1.03	1.47	.032	.63	.53	.50	.25	A0501-1-QF	120.00
4	1	STN. STL.	QF16	1.03	1.47	.032	.63	.53	.50	.25	A0501-2-QF	120.00
8	12	COPPER	QF16	1.53	.97	.032	1.13	1.03	.75	.43	A0502-3-QF	145.00
8	8	MOLY	QF16	1.53	.97	.032	1.13	1.03	.75	.43	A0502-4-QF	145.00
8	4	NICKEL	QF16	1.53	.97	.032	1.13	1.03	.75	.43	A0502-1-QF	145.00
8	1	STN. STL.	QF16	1.53	.97	.032	1.13	1.03	.75	.43	A0502-2-QF	145.00