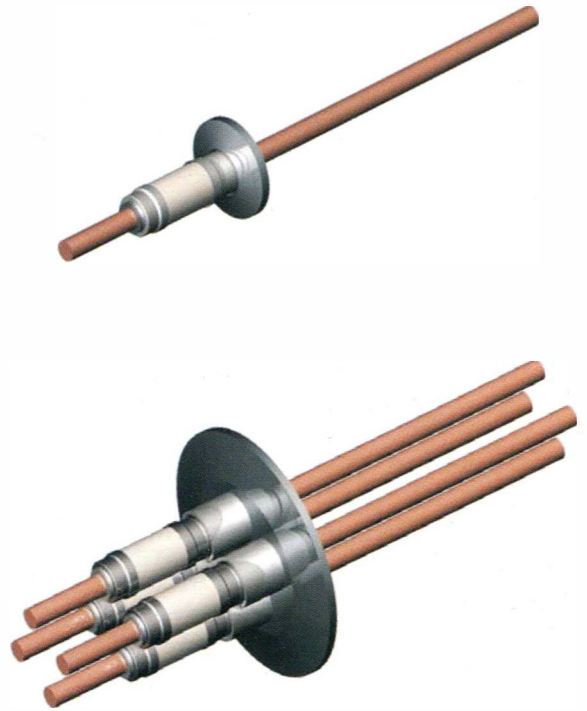
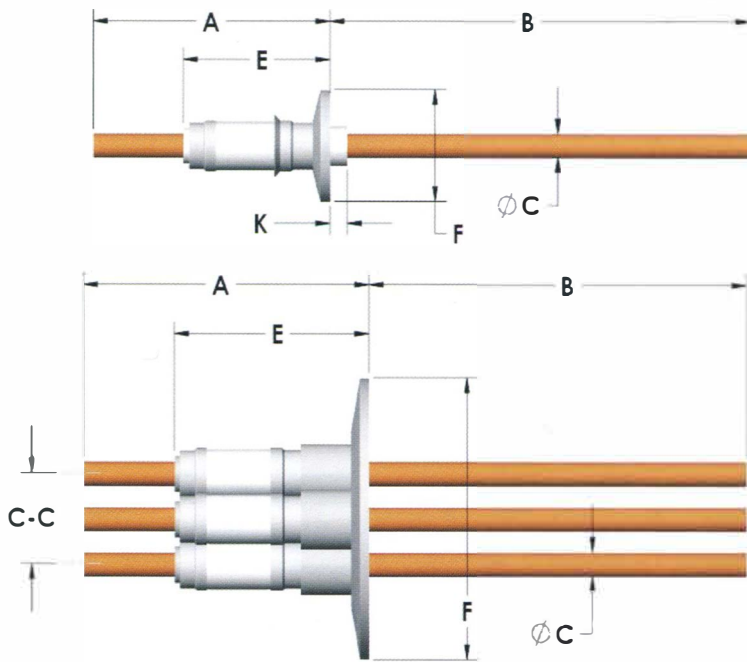


5000 VOLTS DC/ TO 150 AMPS

1 TO 4 PIN

QUICK FLANGE



NO PINS	VOLTS	AMPS	CONDUCTOR MATERIAL	A	B	C	E	F	K	CC	PART NO	PRICE
1	5KV	150	COPPER	2.60	4.65	.25	1.60	1.18	.23	--	AO117-1-QF	80.00
1	5KV	75	NICKEL	2.60	4.65	.25	1.60	1.18	.23	--	AO117-5-QF	80.00
1	5KV	7	STN STL	2.60	4.65	.25	1.60	1.18	.23	--	A0117-3-QF	80.00
1	5KV	150	COPPER	3.13	4.12	.25	2.13	2.16	--	--	A0118-1-QF	85.00
1	5KV	75	NICKEL	3.13	4.12	.25	2.13	2.16	--	--	A0118-5-QF	85.00
1	5KV	7	STN STL	3.13	4.12	.25	2.13	2.16	--	--	A0118-3-QF	85.00
2	5KV	150	COPPER	3.13	4.12	.25	2.13	2.16	--	.75	A0114-1-QF	160.00
2	5KV	75	NICKEL	3.13	4.12	.25	2.13	2.16	--	.75	A0114-5-QF	160.00
2	5KV	7	STN STL	3.13	4.12	.25	2.13	2.16	--	.75	A0114-3-QF	160.00
3	5KV	150	COPPER	3.13	4.12	.25	2.13	2.16	--	.95	A0115-1-QF	215.00
3	5KV	75	NICKEL	3.13	4.12	.25	2.13	2.16	--	.95	A0115-5-QF	215.00
3	5KV	7	STN STL	3.13	4.12	.25	2.13	2.16	--	.95	A0115-3-QF	215.00
4	5KV	150	COPPER	3.13	4.12	.25	2.13	2.95	--	.95	A0116-1-QF	275.00
4	5KV	75	NICKEL	3.13	4.12	.25	2.13	2.95	--	.95	A0116-5-QF	275.00
4	5KV	7	STN STL	3.13	4.12	.25	2.13	2.95	--	.95	A0116-3-QF	275.00